

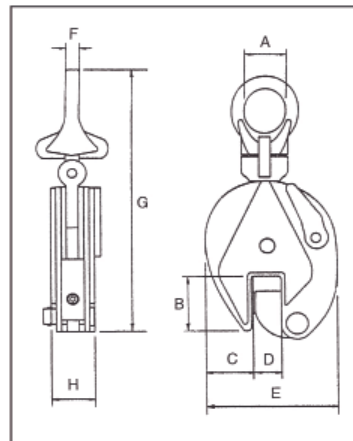
OZ BLOK UNIVERSAL PLATE CLAMPS



Capacities: 500kg to 5 tonnes

- Strong all-steel construction
- Safety lock
- Wide plate acceptance
- Hardened pressure plate and tongue
- Durable baked enamel finish
- Spare parts available

COMPLIES WITH AS/NZS1418.2



PRODUCT CODE	RATED CAPACITY t	TEST LOAD kN	MAX. JAW OPENING mm	DIMENSIONS mm							NET WEIGHT KG	VOLUME cm	
				A	B	C	D	E	F	G			H
OUVPC-05	0.5	7.35	15	30	43	34.5	0-17	103	10	212	36	2	23 x 5 x 11.5
OUVPC-1	1	14.7	20	48	63	51	0-22	138	12	294	50	4.8	31 x 7 x 16
OUVPC-2	2	29.4	25	68	76	59	0-27	164	16	370	52	6.5	38 x 8 x 19
OUVPC-3	3	44.1	30	74	85	56	0-32	193	20	418	78	15	45 x 11 x 22
OUVPC-5	5	73.5	50	80	90	65	0-52	240	22	450	88	23	48 x 14 x 27

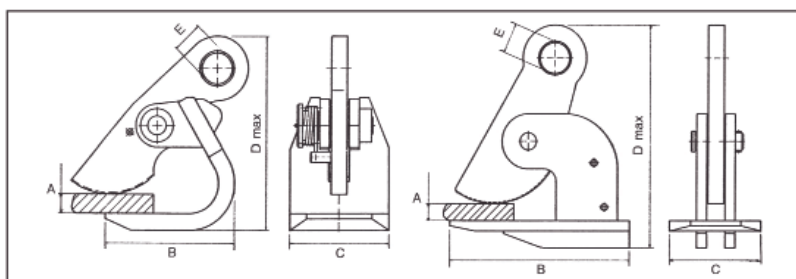
OZ BLOK HORIZONTAL PLATE CLAMPS



Capacities: 1.5 tonnes to 5 tonnes

- Compact size and easy to carry
- Lightweight and safe
- Strong all-steel construction
- Durable baked enamel finish

COMPLIES WITH AS/NZS1418.2



PRODUCT CODE	RATED CAPACITY t / pr	TEST LOAD t / pr	MAX. JAW OPENING mm	DIMENSIONS mm					NET WEIGHT SINGLE - kg	NET WEIGHT PAIR - kg	VOLUME cm
				A	B	C	D max.	E			
OHPC15	1.5	3.0	50	0-52	127	100	218	30	4.3	8.6	17 x 12 x 24
OHPC30	3	6.0	50	0-52	220	110	270	36	7.7	15.4	26 x 13 x 20
OHPC50	5	10.0	60	0-62	260	130	315	49	14.1	28.2	30 x 15 x 23