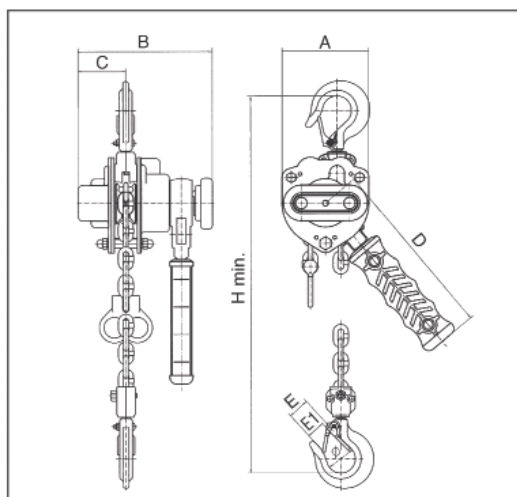


## OZ MECHANICAL LEVER HOIST

## Capacities: 250kg and 500kg

- Lightweight robust construction
- Chrome plated covers
- Super strength alloy loadchain
- Minimum headroom
- Fully enclosed gear train
- Galvanised loadchain
- Minimum effort to lift WLL
- Spare parts always available



| Model                                |           | OMLB025 | OMLB05  |
|--------------------------------------|-----------|---------|---------|
| W.L.L.                               | tonnes    | 0.25    | 0.5     |
| Lift                                 | m         | 1       | 1.5     |
| Test load                            | t         | 0.375   | 0.75    |
| Headroom (hook to hook)              | H min. mm | 215     | 255     |
| Effort to lift full load             | kg        | 13      | 18.5    |
| No. of loadchain fall lines          |           | 1       | 1       |
| Loadchain (dia. x pitch)             | mm        | ø4 x 12 | ø5 x 15 |
| Dimensions<br>mm                     | A         | 75      | 90      |
|                                      | B         | 116     | 135     |
|                                      | C         | 41      | 51.5    |
|                                      | D         | 157     | 180     |
|                                      | E         | 18      | 24      |
|                                      | E1        | 15.5    | 21      |
|                                      | ø         | 25      | 32      |
| Net weight                           | kg        | 2       | 3.5     |
| Extra weight per metre of extra lift | kg        | 0.35    | 0.55    |

## COMPLIES WITH AS/NZS1418.2

Meets or exceeds all relevant world standards