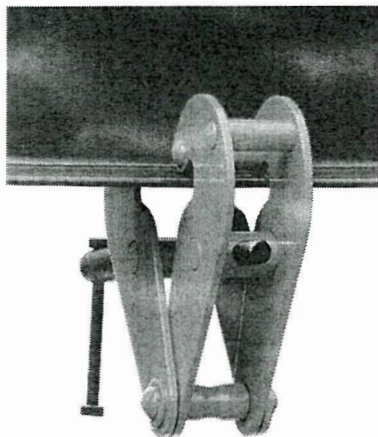


BEAM CLAMP

OPERATING INSTRUCTIONS

Oz Blok



INSTRUCTIONS FOR THE SAFE USE OF BEAM CLAMPS

Using beam clamps safely

Ensure that the beam clamp is of the correct capacity for the load being lifted and that the beam will not be damaged by localised overloading.

Ensure that the clamp is fitted correctly over the centre of gravity of the item being lifted and will not be subjected to side loading.

Before lifting a load ensure that the clamp has been tightened and that the lifting appliance is fitted correctly into the eye of the clamp.

In-service inspection and maintenance

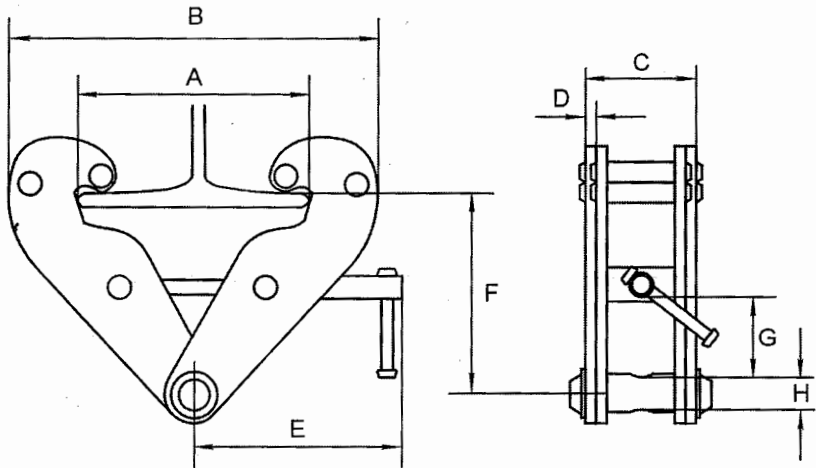
Ensure that beam clamps are kept clean and moving parts are lubricated.

Regularly inspect beam clamps for wear, damage, distortion, cracks and any defects likely to cause a danger.

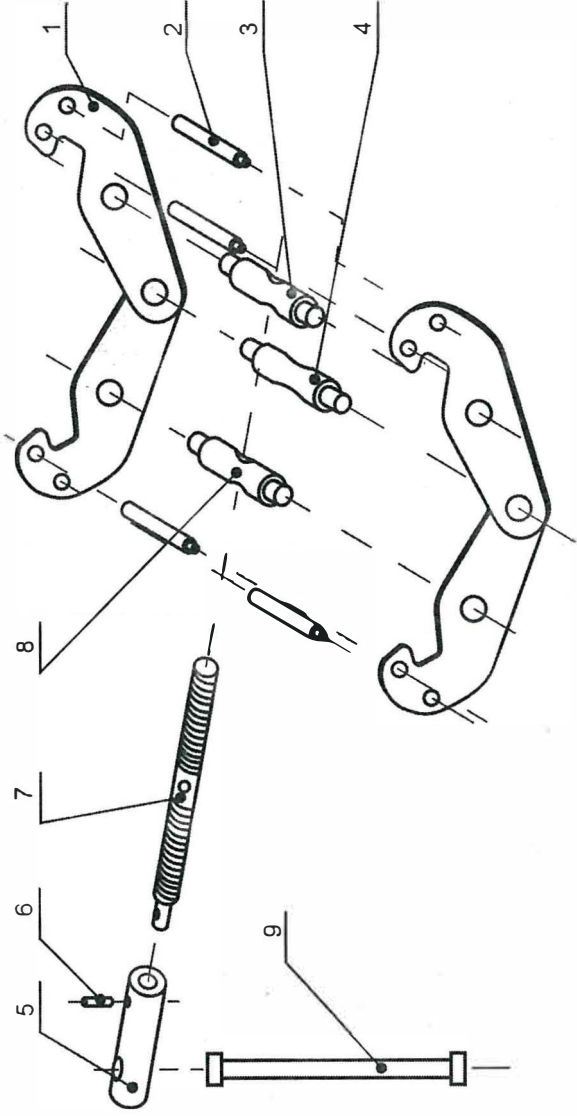
* If any of the above defects are found remove the beam clamp from service and refer to a competent person.

SPECIFICATIONS

Safe working load kg	Adjustable beam width mm	A max mm	B		C mm	D mm	E mm	F		G mm	H mm
			min mm	max mm				min mm	max mm		
1000	75-220	260	180	360	64	5	215	102	155	25	22
2000	75-220	260	180	360	74	6	215	102	155	25	22
3000	80-320	354	235	490	103	8	260	140	225	45	24
5000	80-320	354	235	490	110	10	260	140	225	45	28
10000	90-320	365	320	505	120	12	280	170	235	50	40



BEAM CLAMP SPARE PARTS



1. Side plate	2. Stay	3. Lever thread spindle	4. Equalizer pin
5. Lever handle link cover	6. Socket head cap screw	7. Screw mandrel	8. Dexter thread spindle
9. Handle			