

Lifting & Hoisting

Girder Trolleys

Stainless Steel Push Girder Trolley

Suitable for humid and acidic environments, this robust lightweight industrial grade push trolley is made from 304 stainless steel for optimal rust and corrosion resistance. With the same characteristics as an all steel girder trolley, this unit meets the most demanding lifting application with ease.

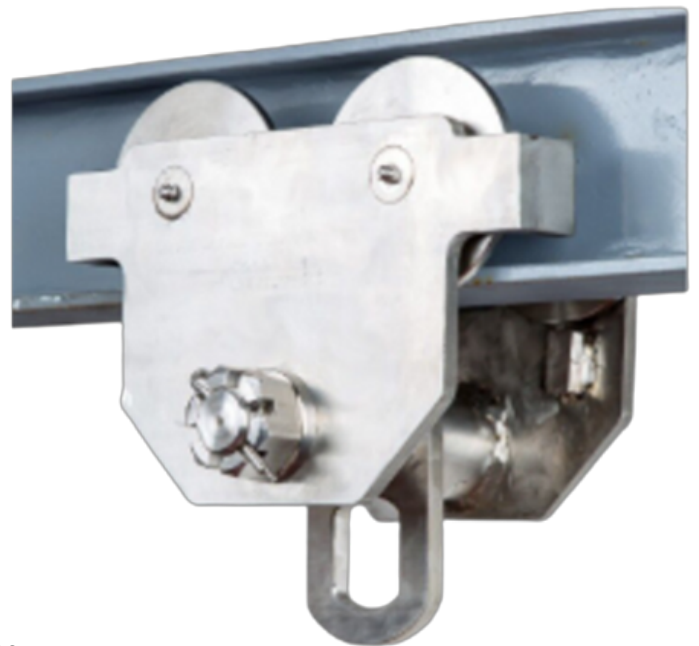
Capacity:
0.5t to 5.0t

Applications:
Food Industry, Manufacturing, Marine, Mining.

Complies with:
AS/NZS1418

Product Features

- Anti-derailment side plates.
- Precision ball bearing trolley wheels.
- 304 grade stainless steel construction.
- Suitable for use with a manual or powered hoist.
- Adjustable to suit a variety of beam flange widths.



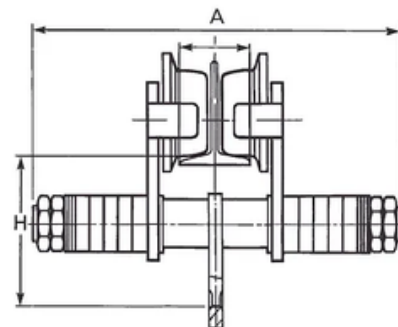
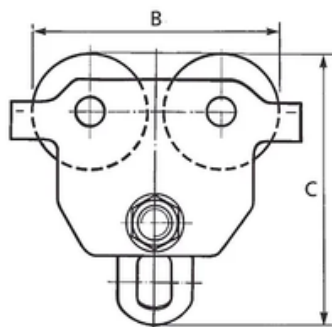


Lifting & Hoisting

Girder Trolleys

SPECIFICATIONS

PRODUCT CODE	WORKING LOAD LIMIT (W.L.L.)	ADJUSTABLE BEAM WIDTH	MIN. RADIUS CURVE	NET WEIGHT
PTOZSS005	0.5t	50mm – 152mm	0.8m	8.5kg
PTOZSS010	1.0t	64mm – 203mm	1.0m	12.0kg
PTOZSS020	2.0t	88mm – 203mm	1.1m	19.5kg
PTOZSS030	3.0t	100mm – 203mm	1.3m	29.0kg
PTOZSS050	5.0t	114mm – 203mm	1.4m	44.0kg



DIMENSIONS

PRODUCT CODE	WORKING LOAD LIMIT (W.L.L.)	A	B	C	H
PTOZSS005	0.5t	260mm	199mm	193mm	106mm
PTOZSS010	1.0t	331mm	246mm	229mm	127mm
PTOZSS020	2.0t	350mm	276mm	268mm	150mm
PTOZSS030	3.0t	370mm	332mm	316mm	173mm
PTOZSS050	5.0t	385mm	377mm	360mm	198mm