

Lifting & Hoisting

Girder Trolleys

Girder Trolley with Clamp

Robust and lightweight, this easy to install girder trolley with clamp provides the benefits of a beam clamp with the functionality of a beam trolley. Fully adjustable with a locking mechanism, it can travel on straight beams or around gentle curves, and is suitable to fix to any hoists, pulleys or loads.

Capacity:
1.0t to 5.0t

Applications:
Construction, Engineering, Manufacturing,
Warehousing.

Complies with:
AS/NZS1418

Product Features

- Safety handle lock.
- All steel construction.
- Anti-derailment plates.
- Durable baked on enamel paint protection.
- Corrosion resistant galvanised spindle and snap pin.



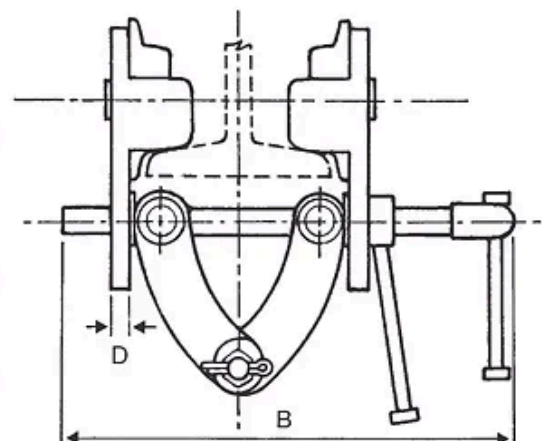
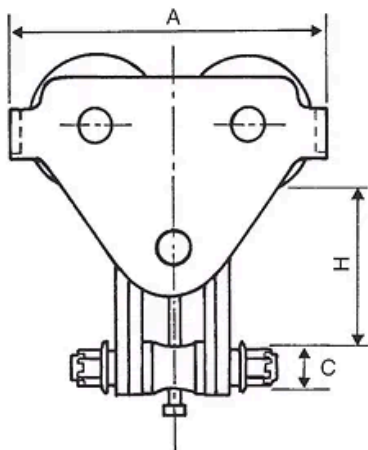


Lifting & Hoisting

Girder Trolleys

SPECIFICATIONS

PRODUCT CODE	WORKING LOAD LIMIT (W.L.L.)	TEST LOAD	MIN. RADIUS CURVE	BEAM WIDTH	NET WEIGHT
GCTOZ010	1.0t	12.5kN	1.1mm	63mm – 203mm	11.0kg
GCTOZ020	2.0t	24.5kN	1.3mm	76mm – 203mm	13.0kg
GCTOZ030	3.0t	36.8kN	1.5mm	85mm – 210mm	26.0kg
GCTOZ050	5.0t	61.3kN	1.7mm	100mm – 305mm	46.0kg



DIMENSIONS

PRODUCT CODE	WORKING LOAD LIMIT (W.L.L.)	A	B	C	D	H
GCTOZ010	1.0t	260mm	340mm	Ø20mm	10mm	171mm – 232mm
GCTOZ020	2.0t	260mm	340mm	Ø20mm	12mm	237mm – 285mm
GCTOZ030	3.0t	330mm	360mm	Ø24mm	14mm	160mm – 200mm
GCTOZ050	5.0t	380mm	480mm	Ø24mm	19mm	225mm – 280mm