

# Lifting & Hoisting

## Girder Trolleys

### Trolley Wheels

Strong and reliable, these machine threaded single flange trolley wheels are perfect for smooth operation on R.S.J. and universal beams, and have been designed for longevity - even in the harshest environments.

*Capacity:*  
0.5t to 10.0t

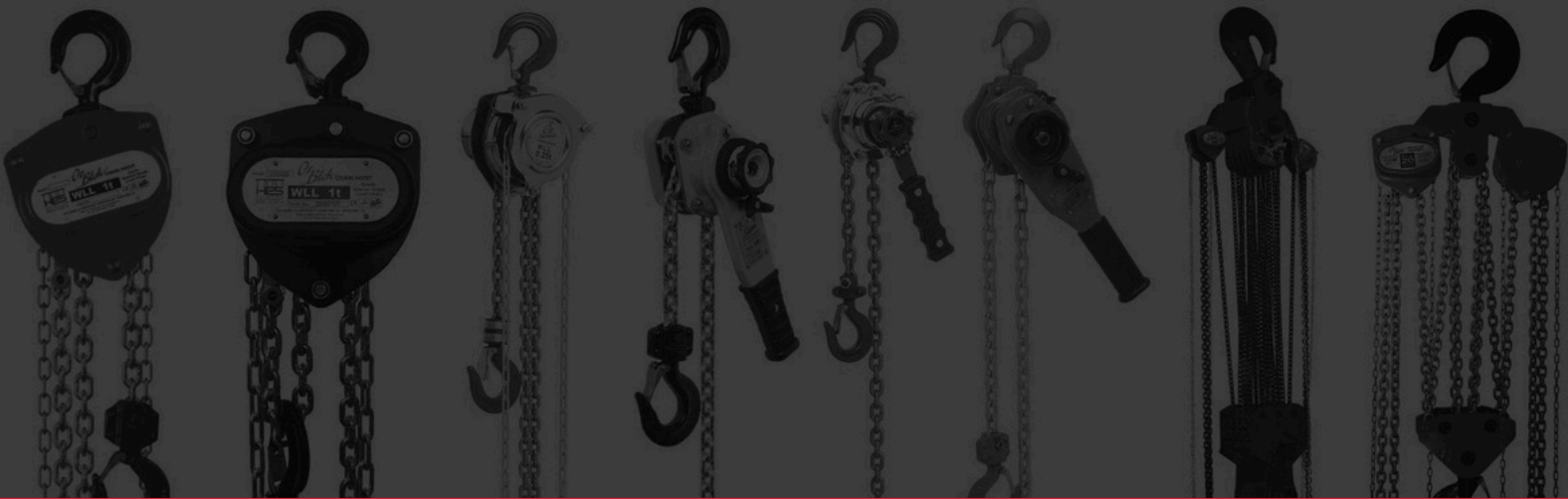
*Applications:*  
Food Industry, Manufacturing, Marine, Mining.

*Complies with:*  
AS/NZS1418

#### Product Features

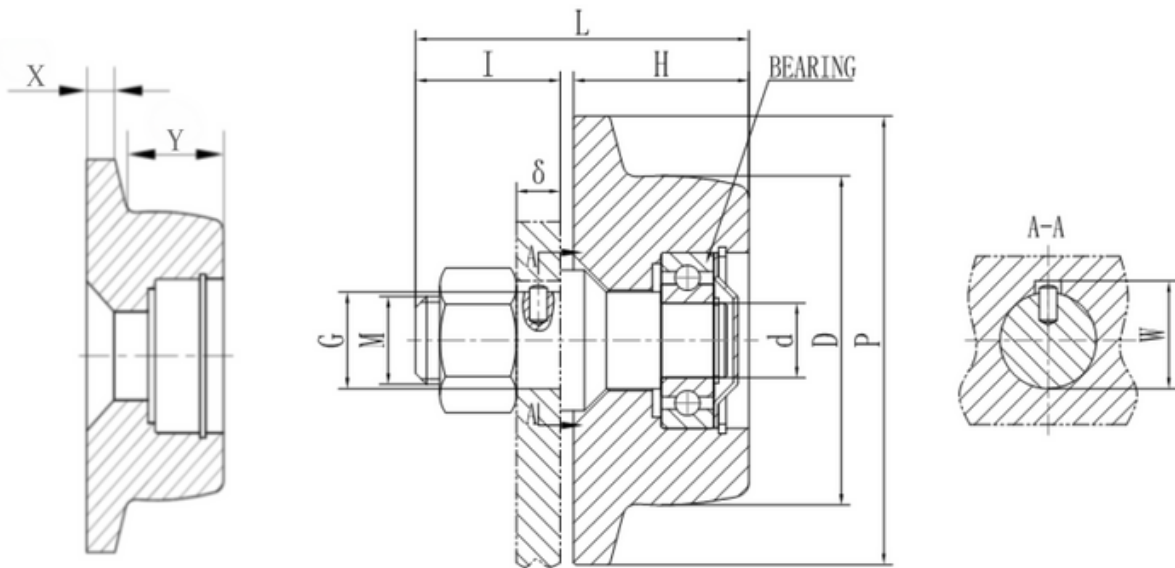
- Machine thread.
- All steel construction.
- Available in cast iron or fully forged.
- Complete with a ball bearing, axle, nut, dust cover and circlip.
- Capacities range from 500kg to 10 tonnes, rated over four wheels.





# Lifting & Hoisting

## Chain Blocks



### SPECIFICATIONS & DIMENSIONS

PRODUCT CODE	CAPACITY	X	Y	G Ø	M	d Ø	D Ø	P	W	I	L	H	Z	BEARING
TWOZ005	0.5t	7.7mm	27mm	22mm	M20	17mm	58mm	82mm	23.6mm	31mm	72mm	38mm	8mm	203mm
TWOZ010	1.0t	8.3mm	28mm	22mm	M20	17mm	75mm	102mm	23.6mm	33mm	76mm	40mm	10mm	203mm
TWOZ020	2.0t	8.2mm	32mm	26mm	M24	20mm	90mm	120mm	27.6mm	39mm	87mm	45mm	12mm	204mm
TWOZ030	3.0t	9.7mm	36mm	32mm	M30	25mm	110mm	141mm	33.6mm	45mm	98mm	50mm	14mm	305mm
TWOZ050	5.0t	11.1mm	38mm	38mm	M36	30mm	120mm	156mm	39.6mm	56mm	113mm	54mm	20mm	206mm x 2
TWOZ100	10.0t	12.7mm	45mm	57mm	M48	50mm	150mm	189mm	58.6mm	77mm	143mm	63mm	25mm	210mm x 2