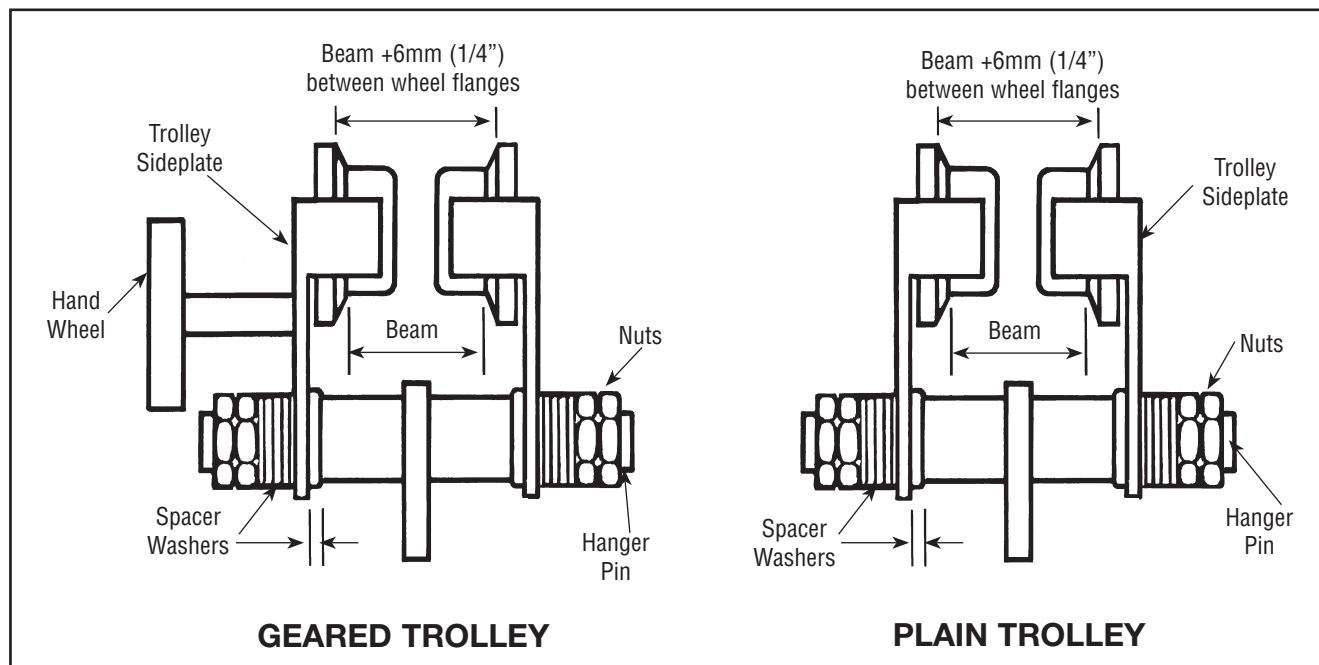


# *Or Blok* GIRDER TROLLEY

## ASSEMBLY INSTRUCTIONS



**BECAUSE OF VARIATIONS IN BEAM WIDTHS, THE TROLLEY IS SUPPLIED WITH HANGER PIN AND SPACER WASHERS PACKED SEPARATELY.**

### ASSEMBLE AS FOLLOWS

1. Measure the actual width of the Runway Beam.
2. Assemble the required number of Spacer Washers equally to the inside of the Trolley Side Plates so that the dimension between Trolley Wheel Flanges is 6mm or 1/4" (Max) greater than the Runway Beam width. Assemble the remaining washers outside the Trolley Sideplate and fit Nuts to hanger Pin. THERE MUST ALWAYS BE AT LEAST ONE WASHER ON THE INSIDE AND THE OUTSIDE OF EACH TROLLEY SIDE PLATE (see diagram).
3. Slacken off the Hanger Pin Nuts and spread the Side Plates so that the wheels can be slipped up over the Runway Beam. Screw the Nuts firmly against the Washers, then suspend a light load from the Trolley to ensure that all four Wheels contact the Runway Beam. Screw the Nuts tightly against the Washers then secure with Locknuts.

### NUTS MUST BE TIGHT

4. Geared Trolley when assembled at the minimum beam width will require Hanger Pin to be offset, so it will not foul the Handwheel.
5. Suspend the Maximum Safe Working Load for the Trolley then run the unit slowly along the full length of the Runway to ensure satisfactory operation.

Capacity	0.5t	1t	2t	3t	5t	10t	20t
Beam Range Standard (mm)	64 - 152	64 - 210	89 - 210	102 - 305	108 - 305	125 - 307	210 - 330