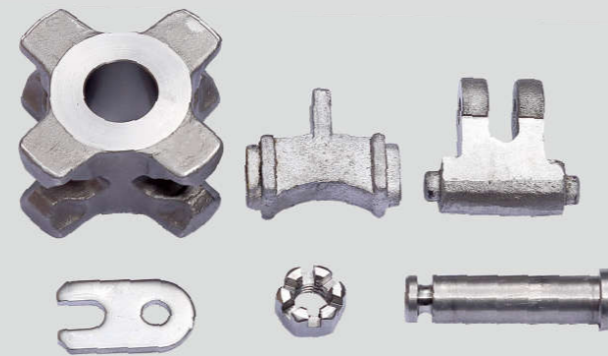


Oz Blok

Australia
Lifting & Hoisting Equipment

304 Stainless Steel

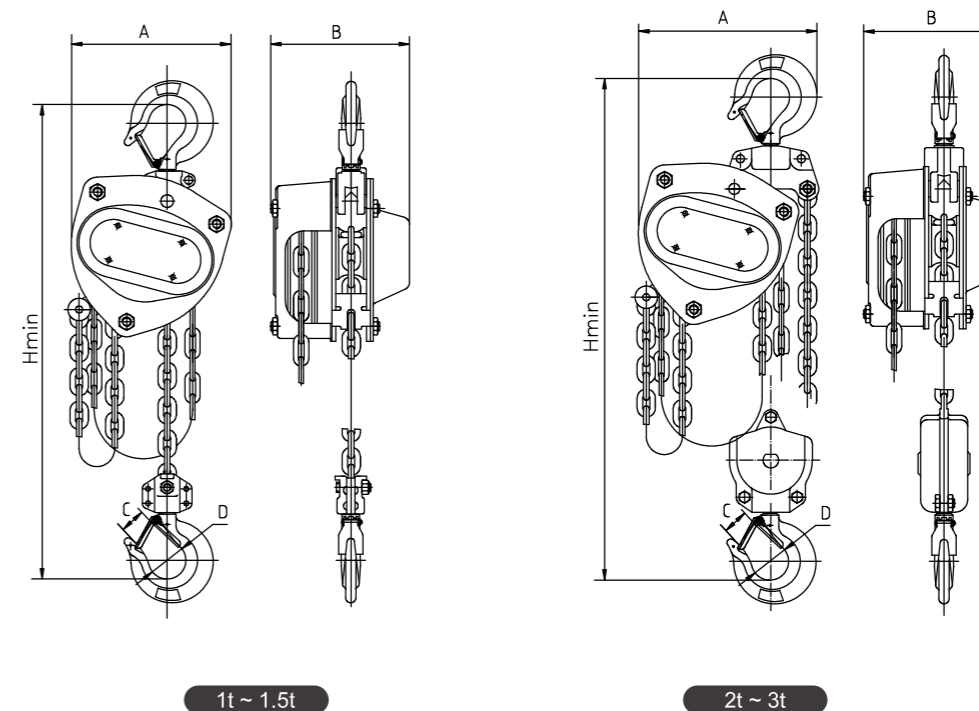


Stainless Steel Chain Hoist



1. The main components are made of all stainless steel, which has strong anti-fouling, anti-corrosion and anti-wear properties.
2. The surface of the product is smooth and compact, not easy to be dusty and has good self-cleaning properties.
3. The hoist is easy to maintain, as it gets scratches or rust in daily use.
4. It is widely used in food, chemical, biological, marine and other places with corrosive factors and high cleanliness requirements.

Note: It is the responsibility of the user to tell in which corrosive environment the product is used.



Model		SL-1	SL-1.5	SL-2	SL-3
Capacity	<i>t</i>	1	1.5	2	3
Lifting height	<i>m</i>	2.5	2.5	2.5	3
Test load	<i>KN</i>	12.5	18.8	25	37.5
Pull on lever to lift full load	<i>N</i>	304	265	335	343
No.of load chain falls		1	1	2	2
Diameter of load chain	<i>mm</i>	7x21	9x27	7x21	9x27
Dimensions <i>mm</i>	<i>A</i>	172	196	192	230
	<i>B</i>	151	173	151	173
	<i>C</i>	26	29.5	34	39
	<i>D</i>	40	45	50	55
	<i>Hmin</i>	376	442	425	565
Net weight	<i>kg</i>	13	16.5	19.5	31.5
Extra wt.per m	<i>mm</i>	1.97	2.61	3.1	4.37