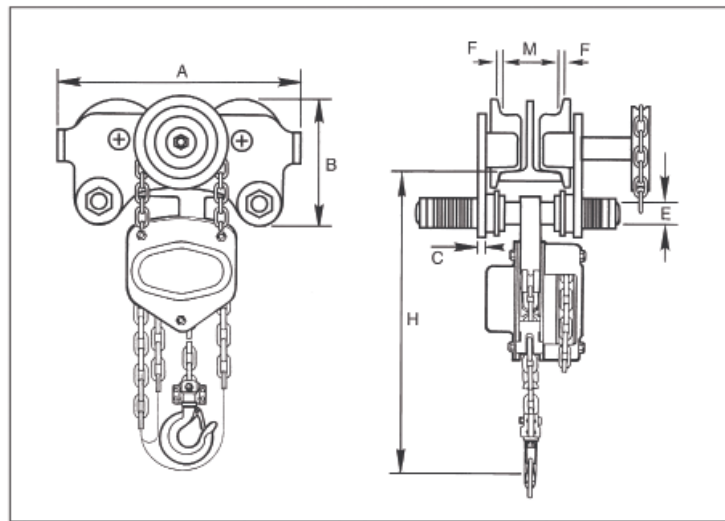


OZ BLOK COMBINED HOISTING ASSEMBLY

'S' Series Chain Block Close Coupled to Geared Girder Trolley

Capacities: 1 tonne to 5 tonnes

- Hoist and trolley integrated offers minimum headroom and theft protection
- Robust all steel construction
- Minimum effort to raise load
- Super strength alloy steel chain
- Stainless steel name plates
- Durable baked enamel paint protection
- Weather protected Weston brake
- Cast steel safety latches
- Spare parts always available
- Overload protection offered as optional extra



Product Code	OCHRG1/0	OCHRG2/0	OCHRG3/0	OCHRG5/0	
Rated Capacity tonnes	1	2	3	5	
Test load kN	15	30	45	75	
Min. radius m	1	1.2	1.4	1.6	
Pulling force to lift full load N	40	70	65	100	
Standard Lift m	3	3	3	3	
Dimensions mm	A	277	302	363	436
	B	170	194	230	260
	C	10	12	14	18
	D	283	295	304	330
	E	M22	M27	M30	M42
	F	=3	=3	=3	=3
Beam width mm	58-180	58-180	74-180	98-180	
Min. headroom H mm	375	438	593	741	

COMPLIES WITH AS/NZS1418.2

Meets or exceeds all relevant world standards.