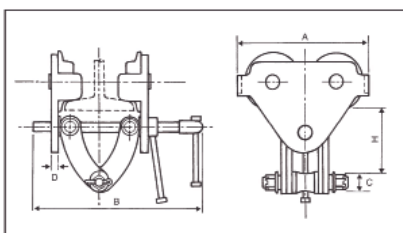


OZ BLOK GIRDER TROLLEY WITH CLAMP



Capacities: 1 tonne to 5 tonnes

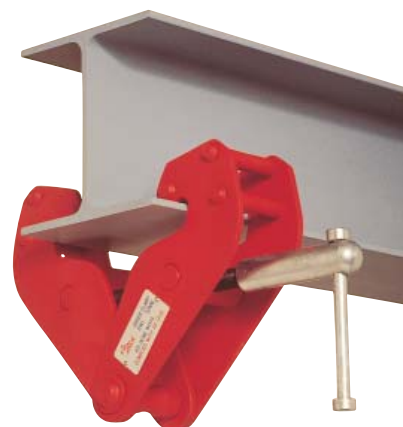
- Robust all-steel construction
- Durable baked enamel paint protection
- Super-quick adjustment to any girder width in range
- Spare parts always available



Product Code	OGCT01	OGCT02	OGCT03	OGCT05
Working Load Limit kg	1000	2000	3000	5000
Test load kN	12.25	24.5	36.8	61.3
Min. radius mm	1.1	1.3	1.5	1.7
Clearance Dimensions mm	A	260	330	380
	B	340	360	480
	C	∅20	∅20	∅24
	D	10	12	14
	H	171-232	237-285	160-200
Beam width mm	63-210	76-210	76-210	100-305
Net Weight kg	11	13	26	46

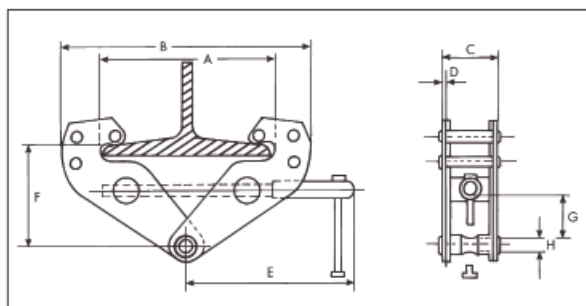
COMPLIES WITH AS/NZS1418.2

OZ BLOK GIRDER CLAMPS



Capacities: 1 tonne to 10 tonnes

- Robust all-steel construction
- Durable baked enamel paint protection
- Super-quick adjustment to any girder width in range
- Spare parts always available



Product Code	Working Load Limit kg	Adjustable Beam Width mm	A		B		C	D	E	F		G	H
			max. mm	min. mm	max. mm	min. mm				max. mm	min. mm		
OGC1	1000	75-230	278	182	380	64	4	217	150	90	26	19	
OGC2	2000	75-230	278	182	380	74	6	217	150	90	26	21	
OGC3	3000	80-320	356	220	500	100	8	277	220	145	50	23	
OGC5	5000	90-320	356	220	500	112	10	277	220	145	47	29	
OGC10	10000	90-320	356	250	520	120	12	285	230	160	52	39	

COMPLIES WITH AS4991